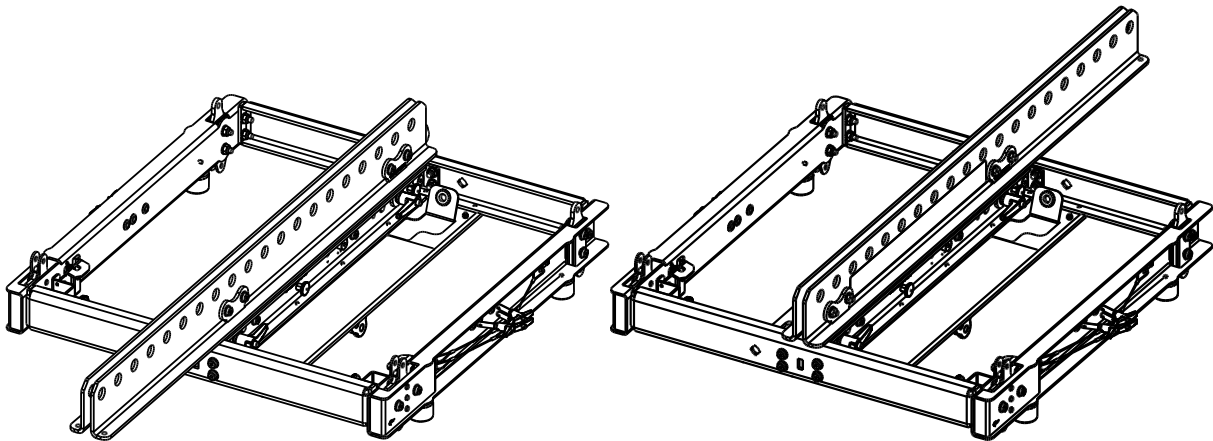
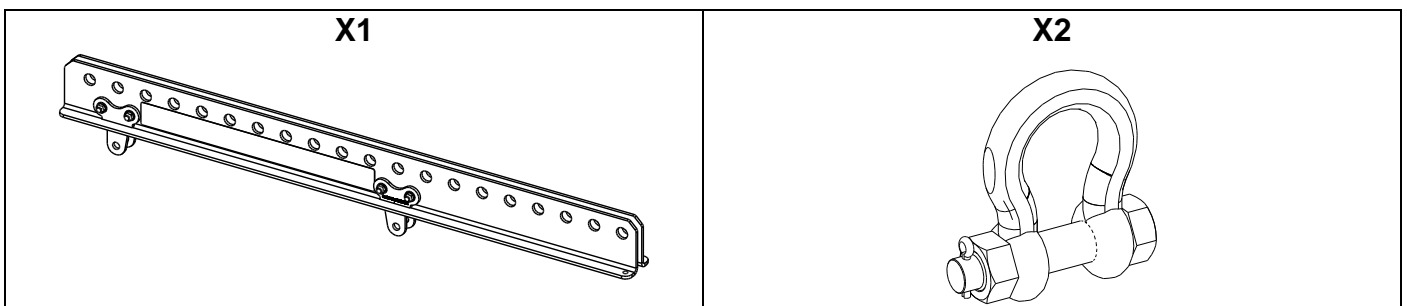


Extension bar for VNI/VNT-BUMPM12

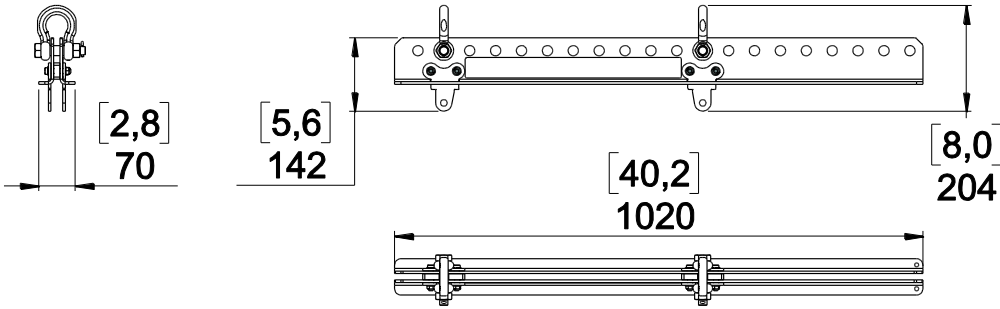


Contents:



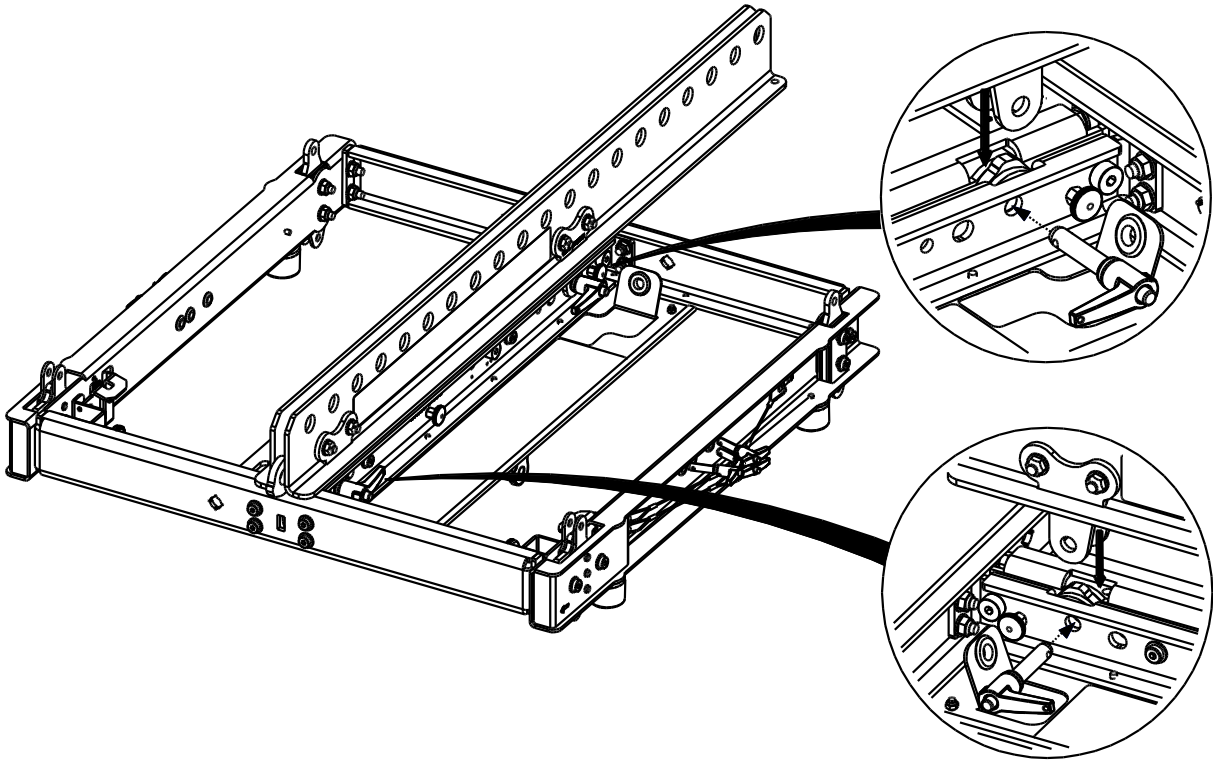
Weight: 11.5 kg / 25.4 lb

Dimensions:



Use:

- Place EXBARM12 by the top and fit the guides into the slots on the BUMPM12.
- Lock with the quick release pins *BL1240* presents on the BUMPM12.
- EXBARM12 allow a 1 or 2 rigging points hanging, with a negative or positive tilt.
- Use NEXO Simulation Software for mechanical prediction.
- Use shackle model: Alloy Bolt Type Shackles 3.25 Tons
- $MAX\ 12x\ GEOM12$, or $8x\ MSUB18$, or $N_{GEOM12} + 1.5N_{MSUB18} \leq 12$



- NEXO cannot accept responsibility for accidents caused by any factor other than defects in this product itself.
- Please check the web site nexo-sa.com for the latest update.

NEXO

nexo-sa.com
ZA du Pre de la Dame Jeanne
60128 PLAILLY - France

- Read this document before using.
- Keep this document.
- Observe all warnings and cautions.

